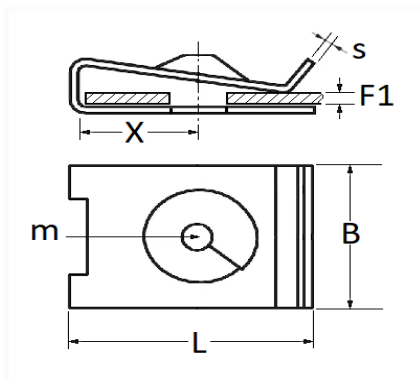


KLEMMOER Ø 4,8 mm



Item code	Number of References	Number of pieces	Conditioning
11011	1	25	



Technical informations	
L	24.7 mm
B	14.5 mm
X	12.7 mm
s	0.7 mm
F1	1.5 → 2.3 mm
m	Vis à Tôle Ø 4.8 mm

Materials
STAAL

Manufacturer correspondence*			
MERCEDES-BENZ	A0009947645	OPEL (GM) Catalogusnummer	2072154

Manufacturer correspondence*

OPEL (GM)	11091811
Onderdeelnummer	

* Non contractual information given as indication
