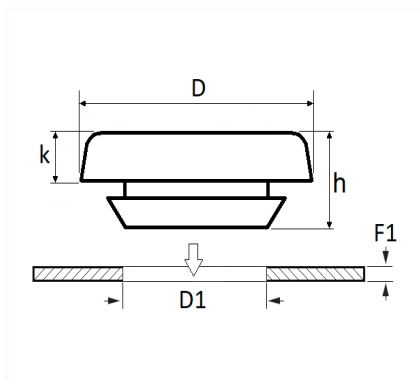


1 Allée des Bouleaux -F-95110 SANNOIS
 +33 (0)1 39 98 55 00
 info@restagraf.com

PLUG BUTTON Ø 19,5 mm



Item code	Number of References	Number of pieces	Conditioning
10672	1	8	BAG



Technical informations	
D	27 mm
k	2.4 mm
h	5.7 mm
D1	19.5 mm
F1	0.7 → 1.5 mm

Materials
POLYPROPYLENE + EPDM

Manufacturer correspondence*			
AUDI	191971908B	SEAT	191971908B

Manufacturer correspondence*

SKODA	191971908B	VOLKSWAGEN	191971908B
VOLKSWAGEN	1H0877294		

* Non contractual information given as indication
