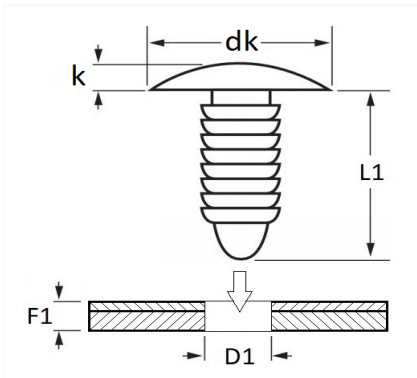


1 Allée des Bouleaux -F-95110 SANNOIS
 +33 (0)1 39 98 55 00
 info@restagraf.com

TRIM CLIP Ø 5,5 mm COWL AIR INTAKE GRID



Item code	Number of References	Number of pieces	Conditioning
10665	1	6	BAG



Technical informations	
dk	23 mm
k	3.5 mm
L1	16 mm
D1	5.5 mm
F1	1.5 → 4.5 mm

Materials
POLYAMIDE 66

Manufacturer correspondence*			
VOLKSWAGEN	1H0819055B	VOLKSWAGEN	1H0819055B01C

* Non contractual information given as indication