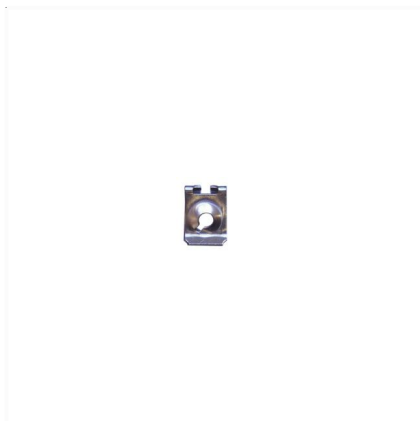
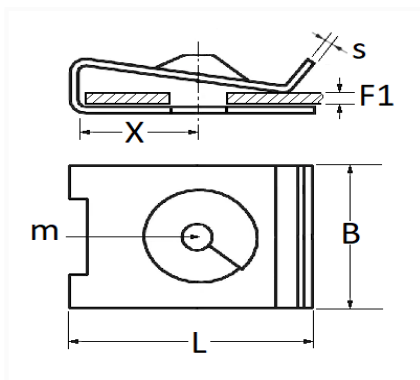


1 Allée des Bouleaux -F-95110 SANNOIS
 +33 (0)1 39 98 55 00
 info@restagraf.com

U-NUT CLIP Ø 4,2 mm WHEEL HOUSING COVER



Item code	Number of References	Number of pieces	Conditioning
10540	1	25	BAG



Technical informations	
L	13.5 mm
B	9.5 mm
X	6.5 mm
s	0.5 mm
F1	1.5 → 2.5 mm
m	Vis à Tôle Ø 4.2 mm

Materials
STAINLESS STEEL Z11CN18.8

Manufacturer correspondence*			
NISSAN	0124100QAE	RENAULT	7703046116

* Non contractual information given as indication