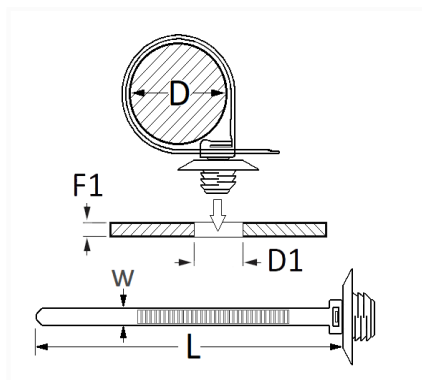


1 Allée des Bouleaux -F-95110 SANNOIS
 +33 (0)1 39 98 55 00
 info@restagraf.com

ARROWHEAD PLASTIC CABLE TIE 180 X 4,5 mm Ø 6,5 mm



Item code	Number of References	Number of pieces	Conditioning
10514	1	12	BAG



Technical informations	
L	128 mm
W	4.5 mm
D	1.5 → 43 mm
D1	6.5 mm
F1	0.6 → 2.5 mm

Materials
POLYAMIDE 66

Manufacturer correspondence*			
FORD Engineering number	98AG14A169AA	FORD Finis	1062880

*Non contractual information given as indication