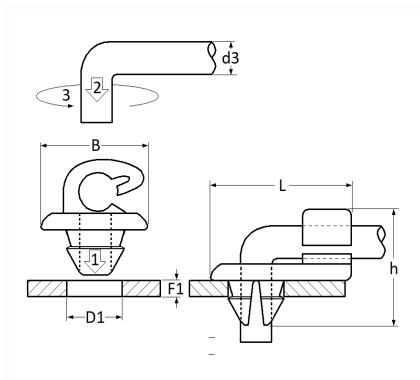


1 Allée des Bouleaux -F-95110 SANNOIS
 +33 (0)1 39 98 55 00
 info@restagraf.com

ROD CLIP Ø 3 mm DOOR LOCK



Item code	Number of References	Number of pieces	Conditioning
10493	1	12	BAG



Technical informations	
L	23 mm
B	11.5 mm
h	13.65 mm
d3	3 mm
D1	6 mm
F1	1.95 mm

Materials
POLYAMIDE 66

Manufacturer correspondence*	
PEUGEOT / CITROËN	914732

* Non contractual information given as indication