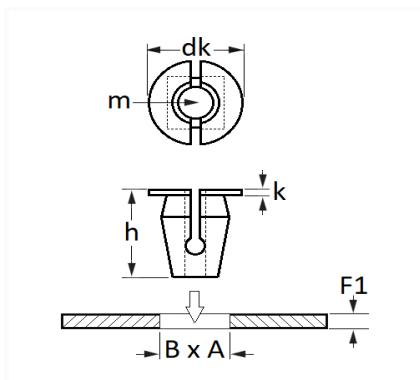


1 Allée des Bouleaux -F-95110 SANNOIS  
 +33 (0)1 39 98 55 00  
 info@restagraf.com

**KUNSTSTOF MOER Ø 4,2 mm PORTIERBEKLEDING**



Item code	Number of References	Number of pieces	Conditioning
10389	1	15	



Technical informations	
dk	16 mm
k	1.5 mm
h	17 mm
m	Vis à Tôle Ø 4.2 mm
B	8 mm
A	8 mm
F1	0.7 → 1 mm

Materials
POLYAMIDE 6

Manufacturer correspondence*			
ALFA ROMEO	46558337	FIAT	46558337

Manufacturer correspondence\*

PEUGEOT / CITROËN

8153AS

\* Non contractual information given as indication

---