

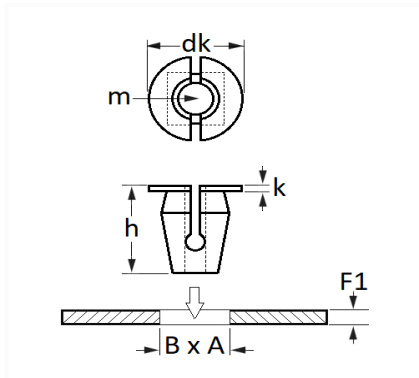


1 Allée des Bouleaux -F-95110 SANNOIS
 +33 (0)1 39 98 55 00
 info@restagraf.com

PLASTIC NUT Ø 4,2 mm DOOR TRIM



Item code	Number of References	Number of pieces	Conditioning
10373	1	6	BAG



Technical informations	
dk	22 mm
k	2.5 mm
h	20.5 mm
m	Vis à Tôle Ø 4.2 mm
B	9.2 mm
A	9.2 mm
F1	0.7 → 1 mm

Materials
POLYAMIDE 66+30% FIBERGLASS

Manufacturer correspondence*			
FORD Engineering number	W700158S300	FORD Engineering number	W703978S300

Manufacturer correspondence*

FORD Finis	1007902	FORD Finis	1659672
------------	---------	------------	---------

* Non contractual information given as indication
