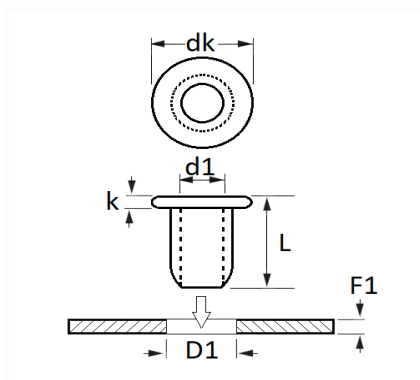


1 Allée des Bouleaux -F-95110 SANNOIS
 +33 (0)1 39 98 55 00
 info@restagraf.com

PLASTIC GROMMET Ø 9 mm BODY SHELL BELTLINE MOULDING



Item code	Number of References	Number of pieces	Conditioning
10365	1	12	BAG



Technical informations	
dk	11.5 mm
k	1.3 mm
L	14 mm
d1	4.5 mm
D1	9 mm
F1	0.8 → 1.1 mm

Materials
POLYAMIDE 6

Manufacturer correspondence*	
MERCEDES-BENZ	A0019887681

* Non contractual information given as indication