

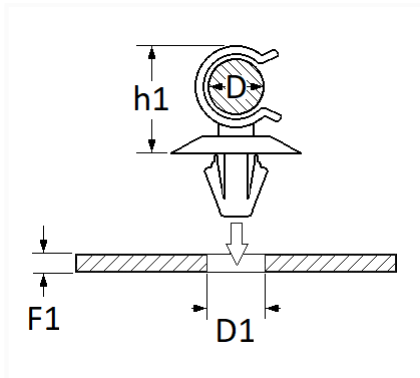


1 Allée des Bouleaux -F-95110 SANNOIS  
 +33 (0)1 39 98 55 00  
 info@restagraf.com

PIPE / WIRING BRACKET Ø 3 → 10 mm



Item code	Number of References	Number of pieces	Conditioning
10357	1	10	BAG



Technical informations	
D	3 → 10 mm
h1	15 mm
D1	6.5 mm
F1	0.7 → 3 mm

<b>Materials</b>
POLYACETAL COPOLYMER

Manufacturer correspondence*			
B.M.W	12521741316	FORD Engineering number	91AG14197AFA

Manufacturer correspondence\*

FORD Finis

6180955

\* Non contractual information given as indication

---