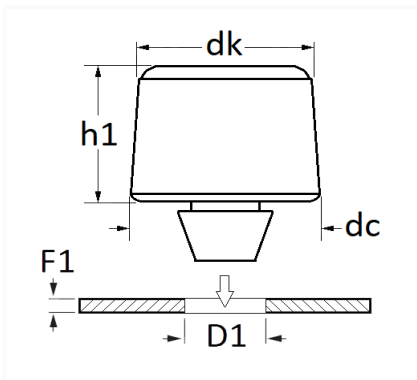


1 Allée des Bouleaux -F-95110 SANNOIS
 +33 (0)1 39 98 55 00
 info@restagraf.com

ANSCHLAG HAUBE UND TÜRE H = 26 mm



Item code	Number of References	Number of pieces	Conditioning
10162	1	4	BEUTEL



Technical informations	
dk	14.5 mm
dc	22.5 mm
h1	26 mm
D1	8 mm
F1	1 mm

Materials
POLYAMID UND ELASTOMER

Manufacturer correspondence*	
PEUGEOT / CITROËN	873552

* Non contractual information given as indication