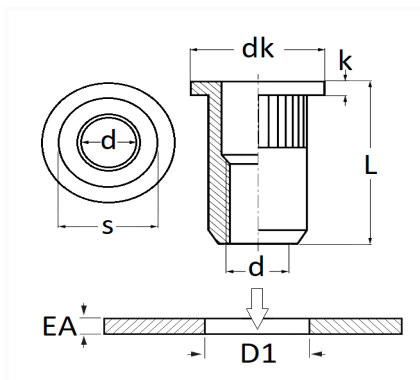


1 Allée des Bouleaux -F-95110 SANNOIS
 +33 (0)1 39 98 55 00
 info@restagraf.com

ROUND STEEL CRIMPING NUT M8-1.25 / 0,5 → 3 mm



Item code	Number of References	Number of pieces	Conditioning
10051	1	20	BAG



Technical informations	
dk	16 mm
k	1.5 mm
L	18 mm
d	M8 x 1.25
s	10.9 mm
D1	11 mm
EA	0.5 → 3 mm

Materials
STEEL