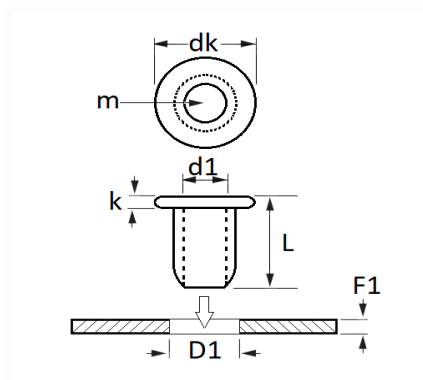


METAL / PLASTIC TUBULAR CLIP Ø 8 mm DOOR GUSSET



Item code	Number of References	Number of pieces	Conditioning
9920	1	8	BAG



Technical informations	
dk	17 mm
k	2.3 mm
L	10 mm
d1	7.5 mm
m	Axe Ø 8 mm
D1	10 mm
F1	0.7 mm

Materials
POLY-ELASTOMERE

Manufacturer correspondence*			
CUPRA	5M0837975	SEAT	5M0837975

Manufacturer correspondence*			
SKODA	5M0837975	VOLKSWAGEN	1H0837975
VOLKSWAGEN	5M0837975	VOLKSWAGEN	865853231A

\* Non contractual information given as indication

---