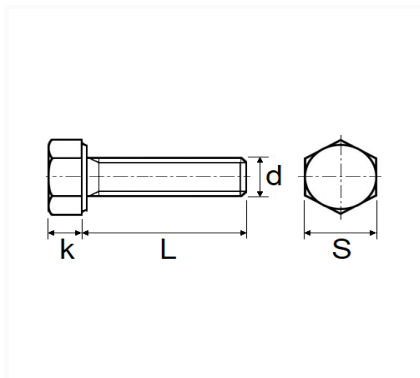


1 Allée des Bouleaux -F-95110 SANNOIS
 +33 (0)1 39 98 55 00
 info@restagraf.com

MASCHINENSCHRAUBE AUßENSECHSKANT 8.8 ZN ROH M14-2.00 X 80 mm DIN 933



Item code	Number of References	Number of pieces	Conditioning
7645	1	4	BEUTEL
799	1	7	BEUTEL



Technical informations	
s	22 mm
k	9 mm
L	80 mm
d	M14 x 2.00

Materials
STAHL 8.8