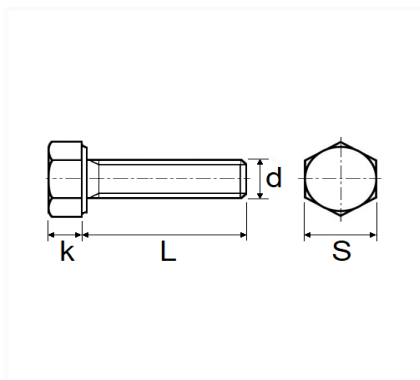


1 Allée des Bouleaux -F-95110 SANNOIS  
 +33 (0)1 39 98 55 00  
 info@restagraf.com

**GRADE 8.8 ZINC PLATED HEXAGON HEAD MACHINE SCREW M10-1.50 X 50 mm  
 DIN 933**



Item code	Number of References	Number of pieces	Conditioning
7636	1	6	BAG
7602	1	20	BAG



Technical informations	
s	17 mm
k	7 mm
L	50 mm
d	M10 x 1.50

Materials
CLASS 8.8 STEEL