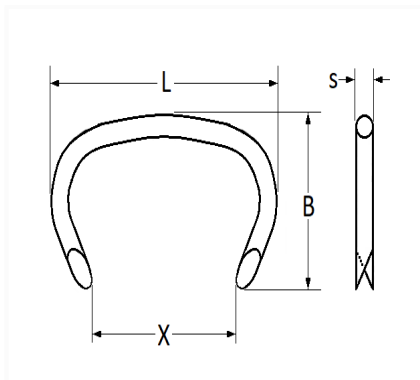


1 Allée des Bouleaux -F-95110 SANNOIS
 +33 (0)1 39 98 55 00
 info@restagraf.com

METALEN KLEM VOOR STOELVERING



Item code	Number of References	Number of pieces	Conditioning
565	1	200	



Technical informations	
L	19.6 mm
B	10.7 mm
X	11.5 mm
s	1.6 mm

Materials
STAAL

Manufacturer correspondence*			
PEUGEOT / CITROËN	6986C5	RENAULT	7703076063

* Non contractual information given as indication