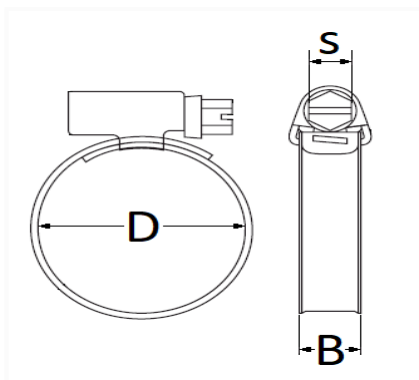


1 Allée des Bouleaux -F-95110 SANNOIS
 +33 (0)1 39 98 55 00
 info@restagraf.com

WORMSCHROEFKLEM Ø 90 → 110 mm L = 12 mm DIN 3017



Item code	Number of References	Number of pieces	Conditioning
7566	1	2	
40721	1	25	



Technical informations	
D	90 → 110 mm
B	12 mm
s	7 mm

Materials
ROESTVRIJ STAAL W2