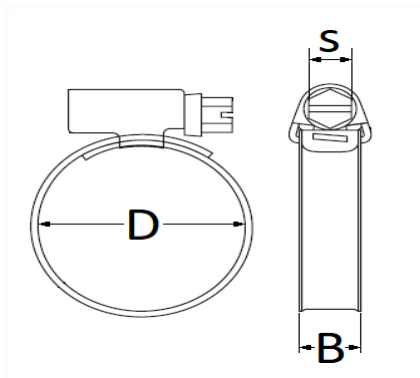


1 Allée des Bouleaux -F-95110 SANNOIS
 +33 (0)1 39 98 55 00
 info@restagraf.com

SCHLAUCHSCHELLE Ø 80 → 100 mm L = 12 mm DIN 3017



Item code	Number of References	Number of pieces	Conditioning
7565	1	2	BEUTEL
40720	1	25	BEHÄLTER



Technical informations	
D	80 → 100 mm
B	12 mm
s	7 mm

Materials
EDELSTAHL W2