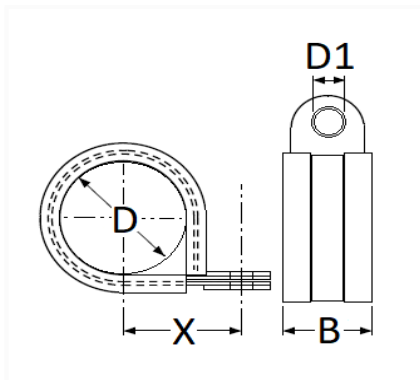


1 Allée des Bouleaux -F-95110 SANNOIS
 +33 (0)1 39 98 55 00
 info@restagraf.com

RUBBER INSULATED CABLE CLAMP Ø 12 mm DIN 3016



Item code	Number of References	Number of pieces	Conditioning
7492	1	6	BAG
40731	1	20	TRUCK BOX



Technical informations	
D	12 mm
X	17.2 mm
D1	6.5 mm
B	15 mm

Materials
STAINLESS STEEL