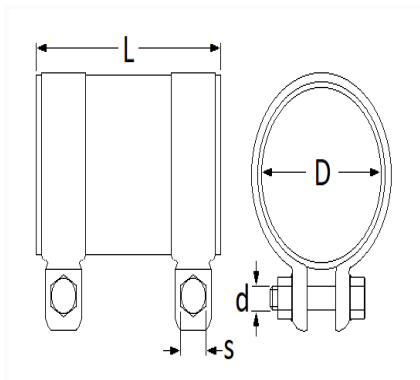


**EXHAUST SLEEVE CLAMP Ø 65 mm L = 80 mm**



Item code	Number of References	Number of pieces	Conditioning
7477	1	6	BOX



Technical informations	
L	80 mm
D	65 mm
d	M10 x 1.50
s	17 mm

Materials
STEEL