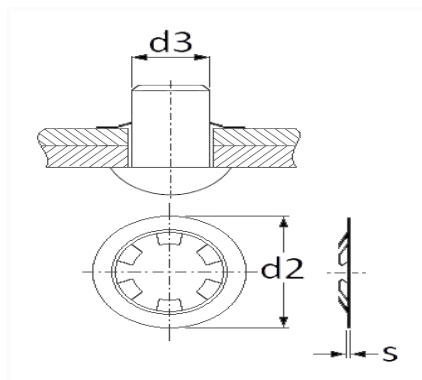


SLUITRING VOOR AS Ø 4 mm VOOR GLADDE SCHACHT



Item code	Number of References	Number of pieces	Conditioning
558	1	50	



Technical informations	
d3	4 mm
d2	11.5 mm
s	0.3 mm

Materials

Manufacturer correspondence*			
CITROËN	26240019	OPEL (GM) Catalogusnummer	1824601

Manufacturer correspondence*

OPEL (GM) Onderdeelnummer	8941997	PEUGEOT / CITROËN	698798
------------------------------	---------	-------------------	--------

* Non contractual information given as indication
