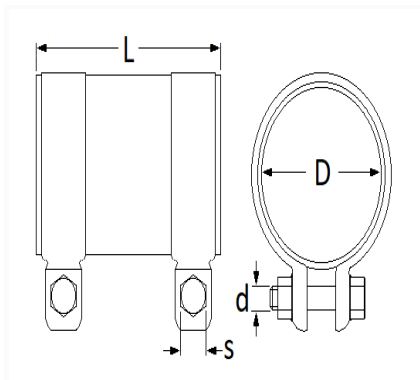


1 Allée des Bouleaux -F-95110 SANNOIS
 +33 (0)1 39 98 55 00
 info@restagraf.com

BALG AUSPUFF Ø 45 mm L = 80 mm



Item code	Number of References	Number of pieces	Conditioning
7472	1	6	BEHÄLTER



Technical informations	
L	80 mm
D	45 mm
d	M8 x 1.25
s	13 mm

Materials
STAHL