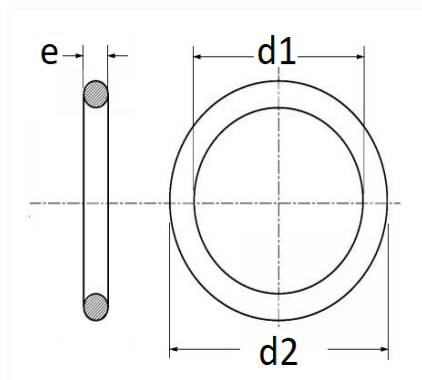


1 Allée des Bouleaux -F-95110 SANNOIS  
 +33 (0)1 39 98 55 00  
 info@restagraf.com

**DRAIN PLUG GASKET Ø 11 X 21 X 2,5 mm FLAT RUBBER**



Item code	Number of References	Number of pieces	Conditioning
7389	1	10	BAG
227389	1	3	BLISTER



Technical informations	
d1	11 mm
d2	21 mm
e	2.5 mm

<b>Materials</b>
RUBBER

Manufacturer correspondence*			
ALTERNATIVE TO FORD	2505993	ALTERNATIVE TO OPEL	12616850

Manufacturer correspondence*			
FIAT	71739194	FORD Engineering number	YS4Z6734AA
OPEL (GM) Catalog number	652526	OPEL Part number	03536966
OPEL Part number	3536966	RENAULT SAMSUNG MOTORS	0329810

\* Non contractual information given as indication

---