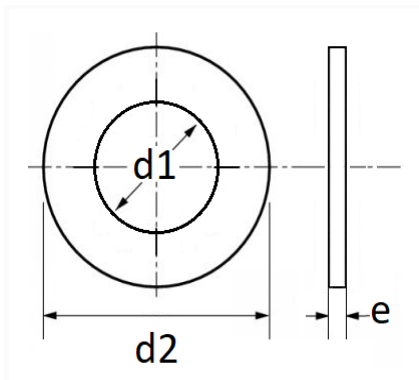


DICHTUNG FÜR ÖLABLASSSTOPFEN Ø 20,7 X 28 X 1,5 mm BS-RING



Item code	Number of References	Number of pieces	Conditioning
7386	1	5	BEUTEL
227386	1	2	BLISTER



Technical informations	
d1	20.7 mm
d2	28 mm
e	1.5 mm

Materials
STAHL + EPDM

Manufacturer correspondence*	
PEUGEOT / CITROËN	031010

\* Non contractual information given as indication