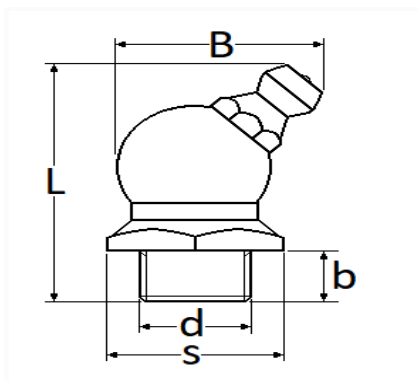


1 Allée des Bouleaux -F-95110 SANNOIS
 +33 (0)1 39 98 55 00
 info@restagraf.com

SCHMIERNIPPEL 45° M10-.100



Item code	Number of References	Number of pieces	Conditioning
7358	1	5	BEUTEL



Technical informations	
L	23.5 mm
B	17 mm
s	11 mm
d	M10 x 1.00
b	5.5 mm

Materials
STAHL