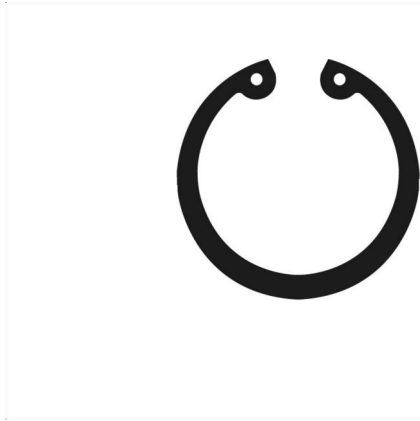
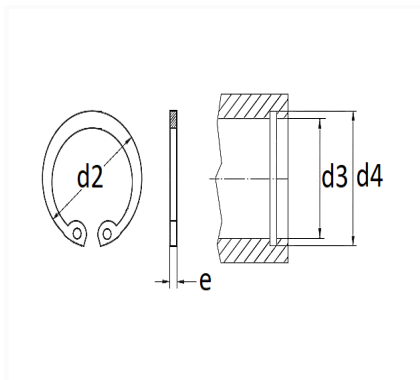


SICHERUNGSRING Ø 42 X 1,75 mm DIN 472 INNEN



Item code	Number of References	Number of pieces	Conditioning
7338	1	5	BEUTEL



Technical informations	
d3	42 mm
d2	45.5 → 46.2 mm
d4	44.5 mm
e	1.75 mm

Materials
STAHL XC75