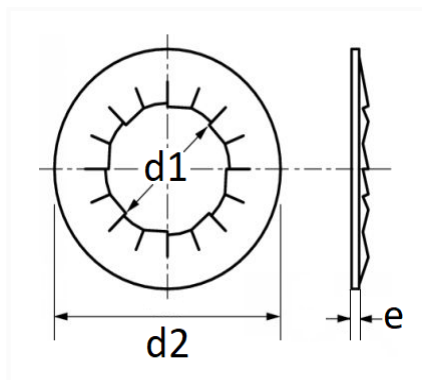


1 Allée des Bouleaux -F-95110 SANNOIS
 +33 (0)1 39 98 55 00
 info@restagraf.com

**CONICAL JZC LOCK WASHER Ø 8 X 17.5 mm NF E25-512 HEAVY DOMED
 INTERNAL SERRATED**



Item code	Number of References	Number of pieces	Conditioning
542	1	50	BAG



Technical informations	
d1	8.1 mm
d2	17.5 mm
e	0.9 mm

Materials
XC75 STEEL

Manufacturer correspondence*	
FIAT	12599579

* Non contractual information given as indication