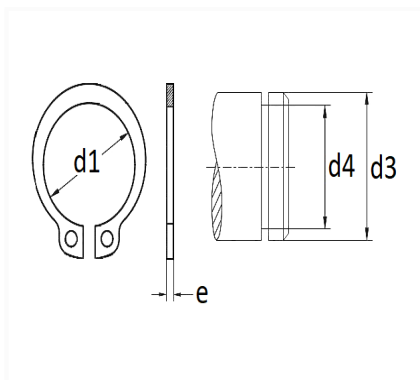


1 Allée des Bouleaux -F-95110 SANNOIS
 +33 (0)1 39 98 55 00
 info@restagraf.com

SICHERUNGSRING Ø 25 X 1,2 mm DIN 471 AUßEN



Item code	Number of References	Number of pieces	Conditioning
7314	1	15	BEUTEL



Technical informations	
d3	25 mm
d1	23.2 mm
d4	23.9 mm
e	1.2 mm

Materials
STAHL XC75