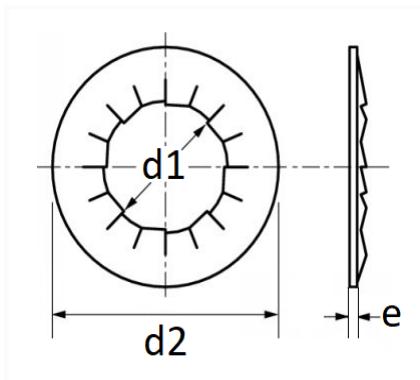


1 Allée des Bouleaux -F-95110 SANNOIS
 +33 (0)1 39 98 55 00
 info@restagraf.com

**CONICAL JZC LOCK WASHER Ø 5 X 16 mm NF E25-512 HEAVY DOMED
 INTERNAL SERRATED**



| Item code | Number of References | Number of pieces | Conditioning |
|-----------|----------------------|------------------|--------------|
| 538 | 1 | 45 | BAG |



| Technical informations | |
|------------------------|--------|
| d1 | 5.1 mm |
| d2 | 16 mm |
| e | 1 mm |
| | |
| | |
| | |
| | |
| | |
| | |
| | |

| Materials |
|------------|
| XC75 STEEL |