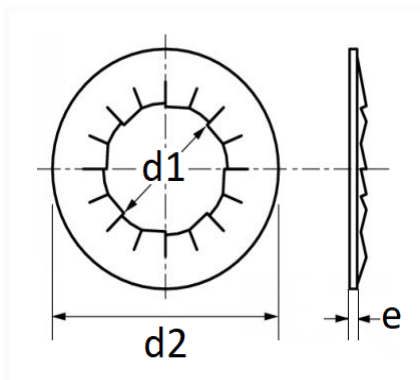


1 Allée des Bouleaux -F-95110 SANNOIS  
 +33 (0)1 39 98 55 00  
 info@restagraf.com

**KONISCHE TANDVEERRING MET BINNENVERTANDING Ø 4 X 11 mm NF E25-512  
 BINNENVERTANDING**



Item code	Number of References	Number of pieces	Conditioning
536	1	45	



Technical informations	
d1	4.1 mm
d2	11 mm
e	0.6 mm

Materials
STAAL XC75