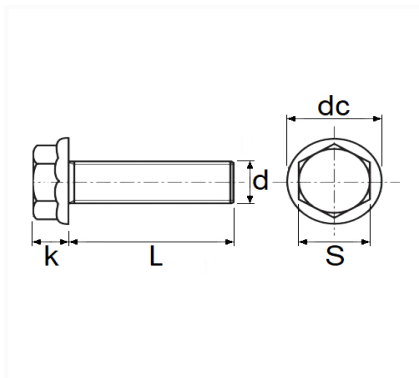


1 Allée des Bouleaux -F-95110 SANNOIS  
 +33 (0)1 39 98 55 00  
 info@restagraf.com

## SCHROEF MET ZESKANTKOP EN FLENS CL8.8 M5-0.80 X 16 mm DIN 6921



Item code	Number of References	Number of pieces	Conditioning
7160	1	20	
228301	1	5	



Technical informations	
s	8 mm
k	5.4 mm
dc	11.8 mm
L	16 mm
d	M5 x 0.80

### Materials

STAAL KLASSE 8.8