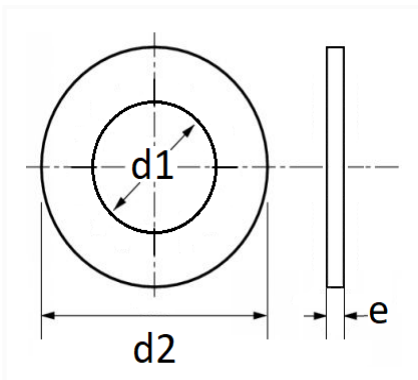


1 Allée des Bouleaux -F-95110 SANNOIS
 +33 (0)1 39 98 55 00
 info@restagraf.com

FLAT WASHER Ø nominal 4 X 16



| Item code | Number of References | Number of pieces | Conditioning |
|-----------|----------------------|------------------|--------------|
| 509 | 1 | 100 | BAG |



| Technical informations | |
|------------------------|--------|
| d1 | 4.3 mm |
| d2 | 16 mm |
| e | 0.8 mm |
| | |
| | |
| | |
| | |
| | |
| | |
| | |

| |
|------------------|
| Materials |
| STEEL |

| | |
|-------------------------------------|--------|
| Manufacturer correspondence* | |
| PEUGEOT / CITROËN | 694789 |

* Non contractual information given as indication