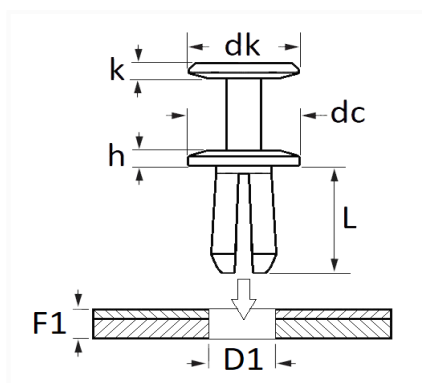


1 Allée des Bouleaux -F-95110 SANNOIS
 +33 (0)1 39 98 55 00
 info@restagraf.com

KUNSTSTOFFNIET Ø 4 mm FRONTGRILLELEISTE



Item code	Number of References	Number of pieces	Conditioning
429	1	50	BEUTEL



Technical informations	
dk	8 mm
k	1.2 mm
dc	8 mm
h	1.2 mm
L	10 mm
D1	4 mm
F1	1 → 3 mm

Materials
POLYAMID 66

Manufacturer correspondence*	
RENAULT	7703072153

* Non contractual information given as indication