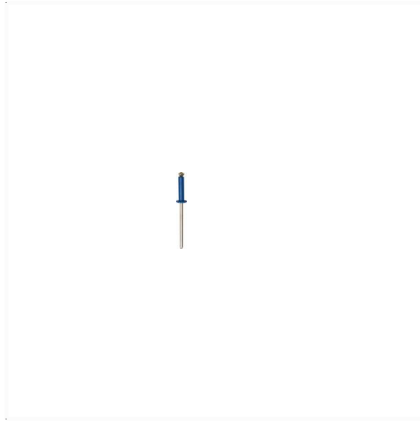
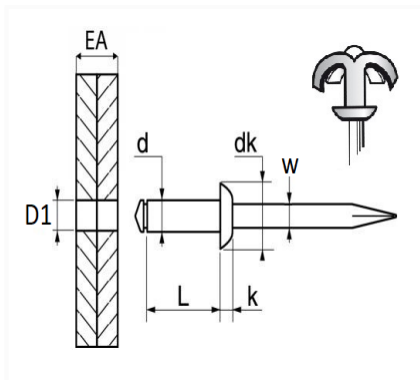


1 Allée des Bouleaux -F-95110 SANNOIS  
 +33 (0)1 39 98 55 00  
 info@restagraf.com

**GROßKOPFNIET BLAU Ø 4 X 16 mm KENNZEICHEN**



Item code	Number of References	Number of pieces	Conditioning
4930	1	250	BEHÄLTER
4728	1	52	BEUTEL



Technical informations	
d	4 mm
L	16 mm
dk	8 mm
k	1.2 mm
w	2.25 mm
EA	4 → 11 mm
D1	4.2 mm

Materials
ALUMINIUM/STAHLSTANGE