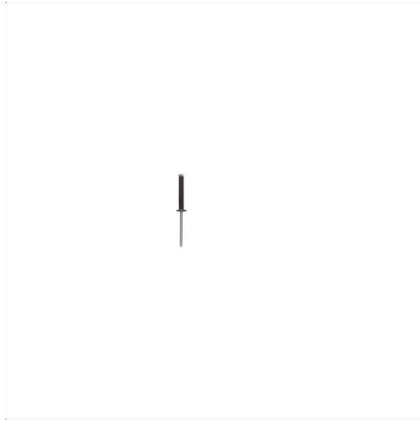
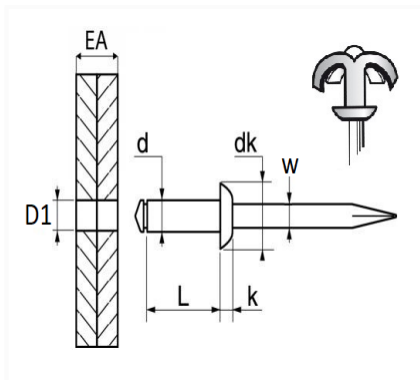


1 Allée des Bouleaux -F-95110 SANNOIS
 +33 (0)1 39 98 55 00
 info@restagraf.com

GROßKOPFNIET SCHWARZ Ø 4 X 26 mm KENNZEICHEN



Item code	Number of References	Number of pieces	Conditioning
4724	1	39	BEUTEL
4927	1	250	BEHÄLTER



Technical informations	
d	4 mm
L	26 mm
dk	8 mm
k	1.5 mm
w	2.25 mm
EA	15 → 20 mm
D1	4.2 mm

Materials
ALUMINIUM/STAHLSTANGE