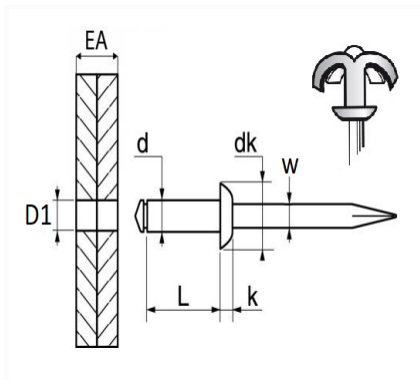


GROßKOPFNIET GELB Ø 4 X 16 mm KENNZEICHEN



Item code	Number of References	Number of pieces	Conditioning
4723	1	52	BEUTEL



Technical informations	
d	4 mm
L	16 mm
dk	8 mm
k	1.2 mm
w	2.25 mm
EA	4 → 11 mm
D1	4.2 mm

Materials
ALUMINIUM/STAHLSTANGE