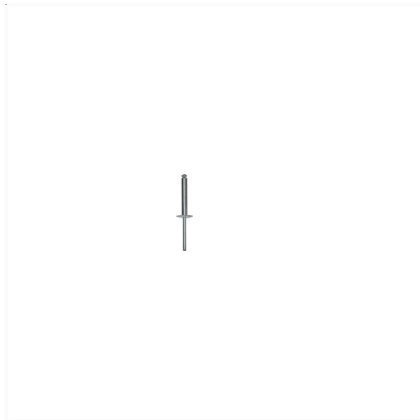
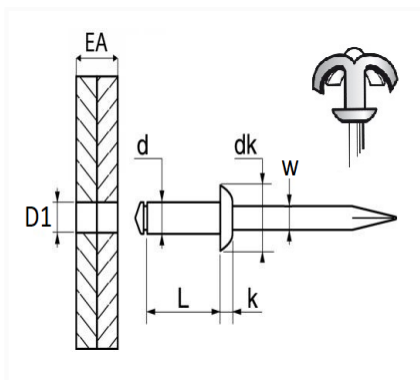


1 Allée des Bouleaux -F-95110 SANNOIS
 +33 (0)1 39 98 55 00
 info@restagraf.com

GROßKOPFNIET ALU Ø 4,8 X 30 mm



Item code	Number of References	Number of pieces	Conditioning
4708	1	38	BEUTEL
4913	1	250	BEHÄLTER



Technical informations	
d	4.8 mm
L	30 mm
dk	14 mm
k	2 mm
w	2.6 mm
EA	19 → 24 mm
D1	5 mm

Materials
ALUMINIUM/STAHLSTANGE