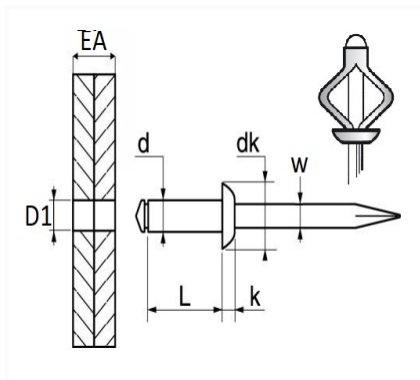


1 Allée des Bouleaux -F-95110 SANNOIS
 +33 (0)1 39 98 55 00
 info@restagraf.com

WITTE SLAGNAGEL Ø 4 X 25 mm NUMMERPLAAT



Item code	Number of References	Number of pieces	Conditioning
4529	1	30	
4530	1	250	



Technical informations	
d	4 mm
L	25 mm
dk	8 mm
k	1.2 mm
w	2.3 mm
EA	5 → 12 mm
D1	4.2 mm

Materials
ALUMINIUM